



GLASSWORTH PTY LTD
architectural glass and hardware



Glass Pool Fencing Catalogue

Rev. 3.0

INDEX

GLASS POOL FENCING - GATE ASSEMBLY

GATE ASSEMBLY - PREMIUM SOFT CLOSE HINGES (GLASS TO GLASS HINGES / GLASS TO GLASS LATCH)	3
GATE ASSEMBLY - PREMIUM SOFT CLOSE HINGES (GLASS TO WALL/POST HINGES / GLASS TO GLASS LATCH)	4
GATE ASSEMBLY - PREMIUM SOFT CLOSE HINGES (GLASS TO GLASS HINGES / GLASS TO WALL LATCH)	5
GATE ASSEMBLY - STANDARD SPRING HINGES (GLASS TO GLASS HINGES / GLASS TO GLASS LATCH)	6
GATE ASSEMBLY - STANDARD SPRING HINGES (GLASS TO WALL/POST HINGES / GLASS TO GLASS LATCH)	7
GATE ASSEMBLY - STANDARD SPRING HINGES (GLASS TO GLASS HINGES / GLASS TO WALL LATCH)	8
GATE ASSEMBLY - 90 DEGREE CORNER ARRANGEMENT (90 DEGREE GLASS TO GLASS CORNER LATCH)	9

GLASS POOL FENCING - GLASS PANELS

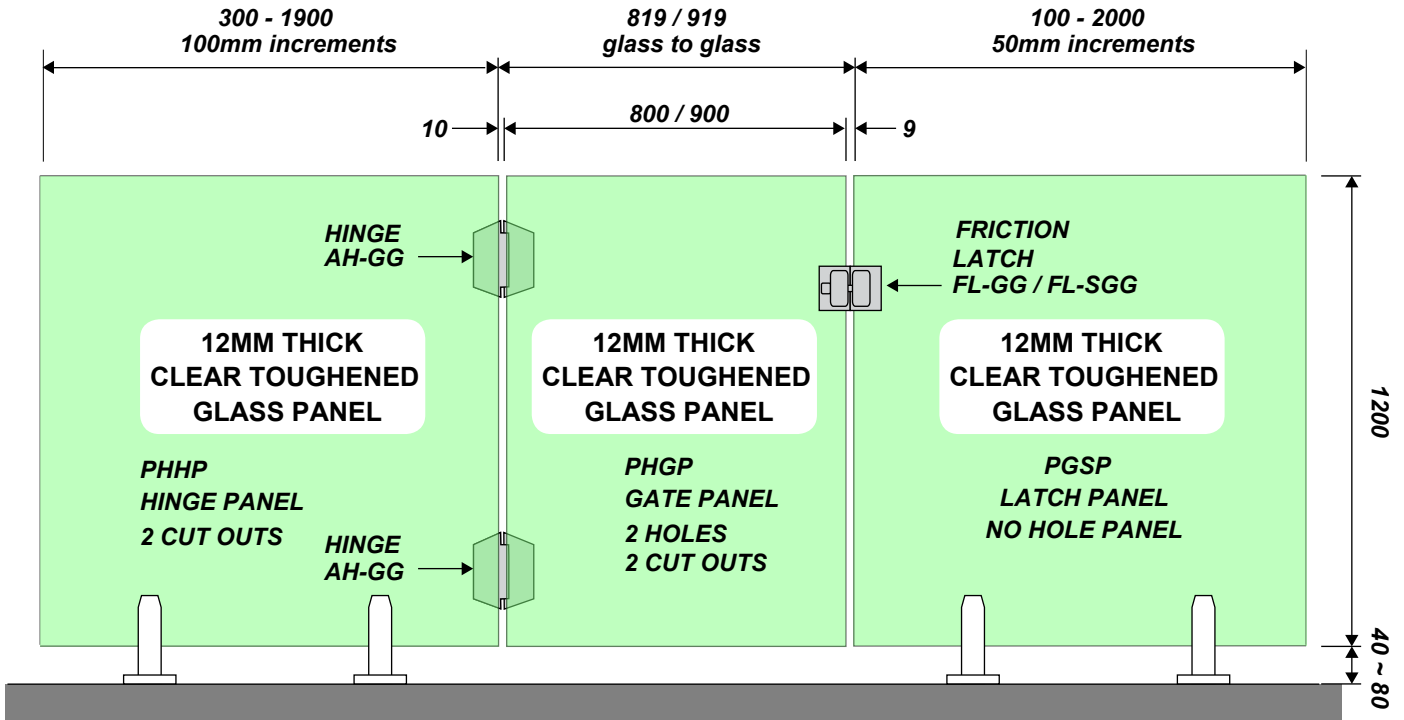
STANDARD NO HOLE GLASS PANELS (PGSP)	10
GLASS HINGE & GATE PANELS - PREMIUM SOFT CLOSE HINGES	11
GLASS HINGE & GATE PANELS - STANDARD SPRING HINGES	12
RAKED NO HOLE GLASS PANELS - ELEVATED (PGEP)	13

HARDWARE - ACCESSORIES

MINIPOSTS/SPIGOTS.....	14
HINGES.....	16
LATCHES	17
CLAMPS	18
GROUTS & CONCRETE	20

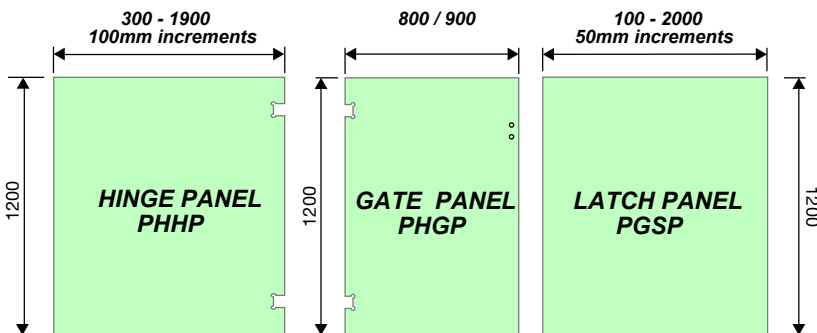
Glass Pool Fencing Catalogue

GATE ASSEMBLY - PREMIUM SOFT CLOSE HINGES (GLASS TO GLASS HINGES - GLASS TO GLASS LATCH)



GLASS DETAILS

HARDWARE



NOTE: ANY SIZE GLASS PANEL CAN BE USED AS A LATCH PANEL

SOFT CLOSE HINGE PAIR (GLASS TO GLASS)

AH-GG-P
POLISH



AH-GG-S
SATIN



AH-GG-B
BLACK



FRICTION LATCH (GLASS TO GLASS)

FL-GG-P
POLISH



FL-GG-S
SATIN



FL-GG-B
BLACK

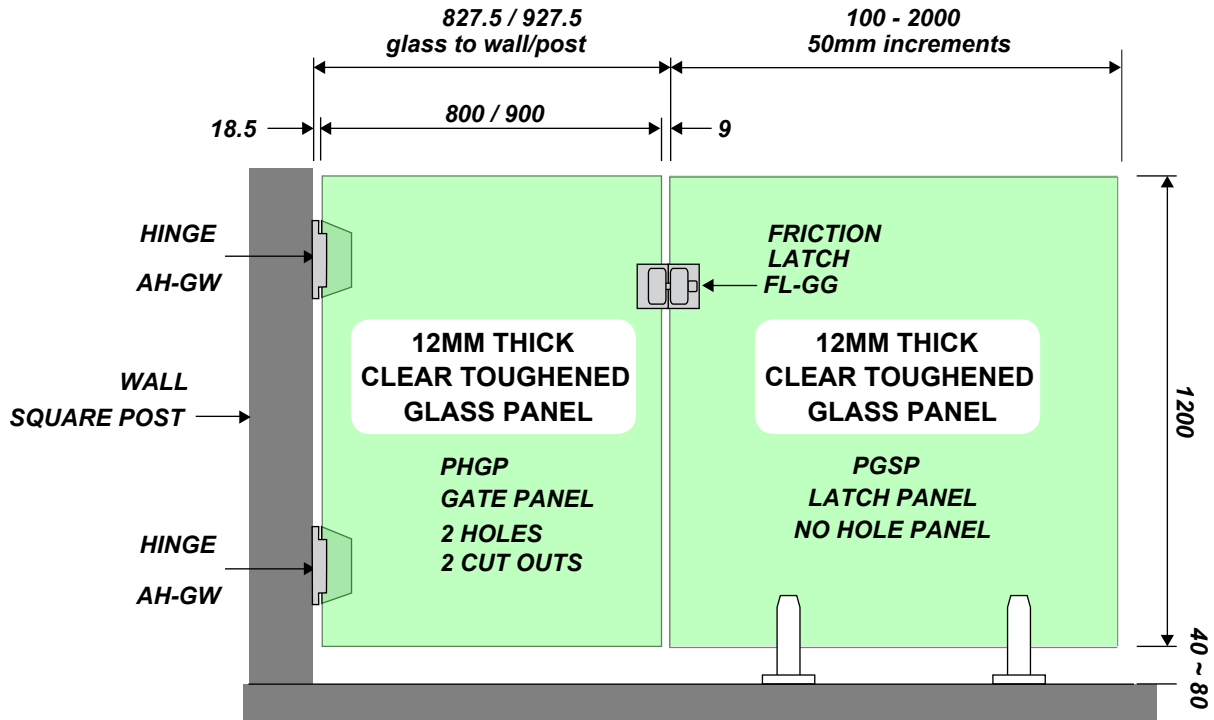




GLASSWORTH PTY LTD
architectural glass and hardware

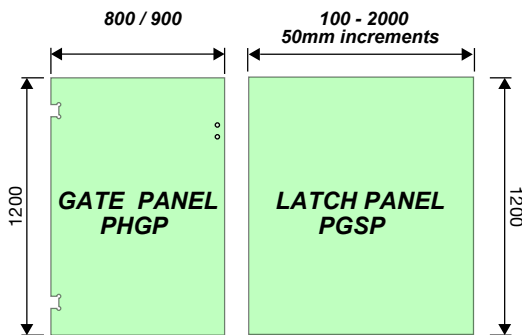
Glass Pool Fencing Catalogue

GATE ASSEMBLY - PREMIUM SOFT CLOSE HINGES (GLASS TO WALL/POST HINGES - GLASS TO GLASS LATCH)



GLASS DETAILS

HARDWARE



NOTE: ANY SIZE GLASS PANEL CAN BE USED AS A LATCH PANEL

SOFT CLOSE HINGE PAIR (GLASS TO WALL/POST)

AH-GW-P
POLISH



AH-GW-S
SATIN



AH-GW-B
BLACK



FRICTION LATCH (GLASS TO GLASS)

FL-GG-P
POLISH



FL-GG-S
SATIN

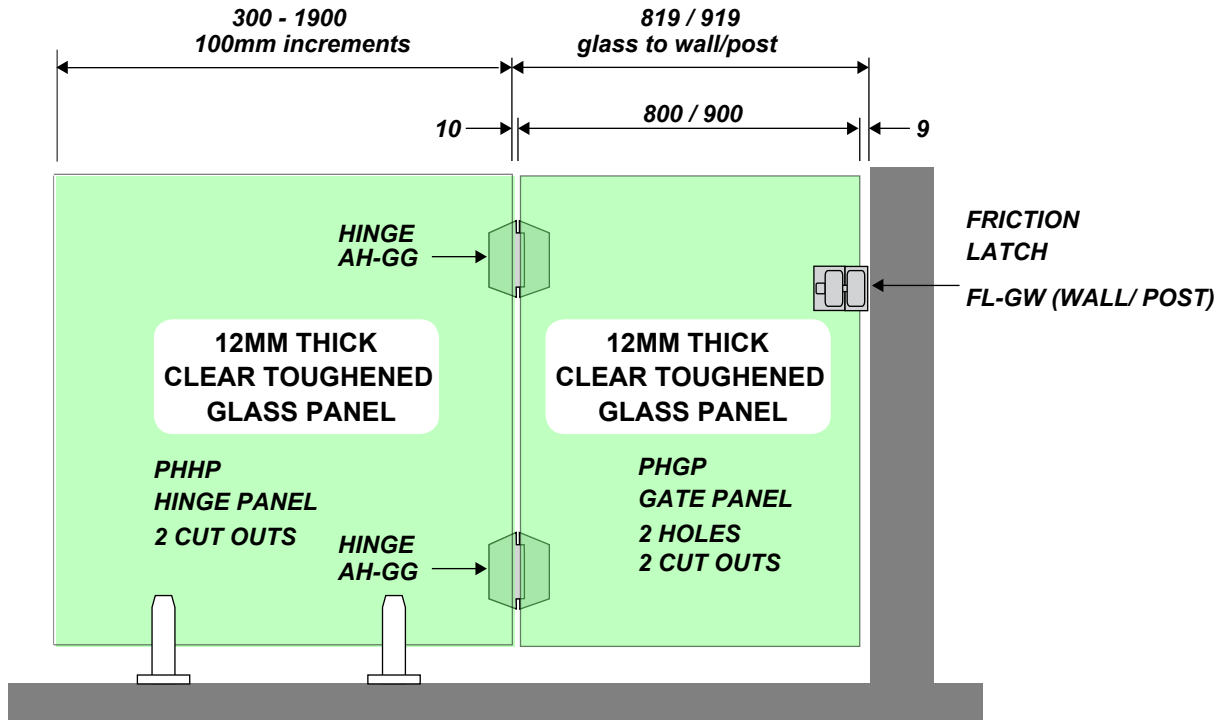


FL-GG-B
BLACK



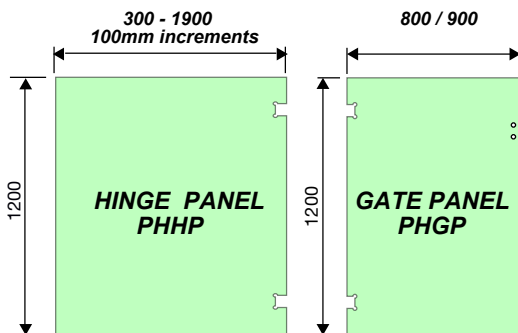
Glass Pool Fencing Catalogue

GATE ASSEMBLY - PREMIUM SOFT CLOSE HINGES (GLASS TO GLASS HINGES - GLASS TO WALL/POST LATCH)



GLASS DETAILS

HARDWARE



SOFT CLOSE HINGE PAIR (GLASS TO GLASS)

AH-GG-P
POLISH



AH-GG-S
SATIN



AH-GG-B
BLACK



FRICTION LATCH (GLASS TO WALL/POST)

FL-GW-P
POLISH



FL-GW-S
SATIN

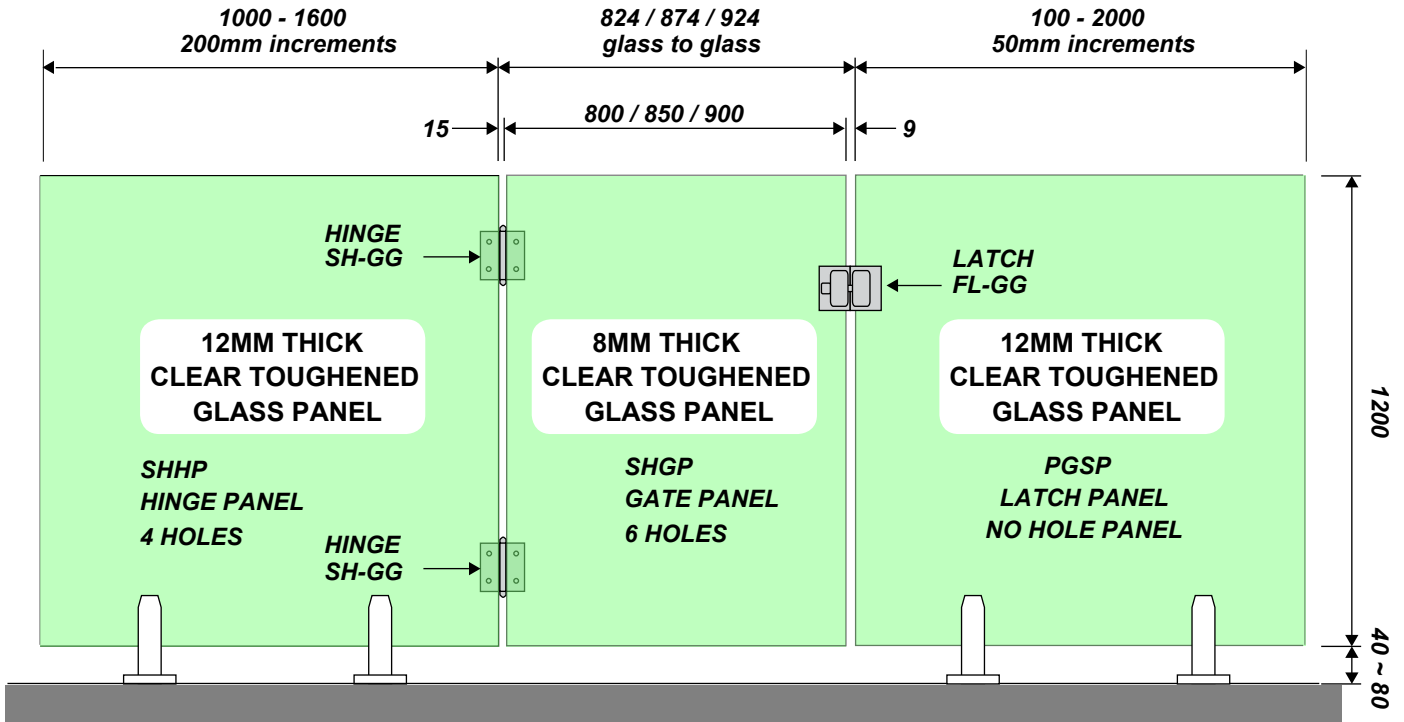


FL-GW-B
BLACK



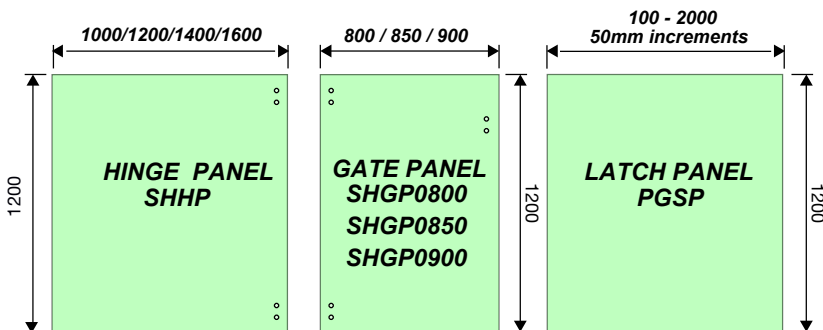
Glass Pool Fencing Catalogue

GATE ASSEMBLY - STANDARD SPRING HINGES (GLASS TO GLASS HINGES - GLASS TO GLASS LATCH)



GLASS DETAILS

HARDWARE



NOTE: ANY SIZE GLASS PANEL CAN BE USED AS A LATCH PANEL



- SH-GG-P**
POLISH
- SH-GG-S**
SATIN
- SH-GG-B**
BLACK

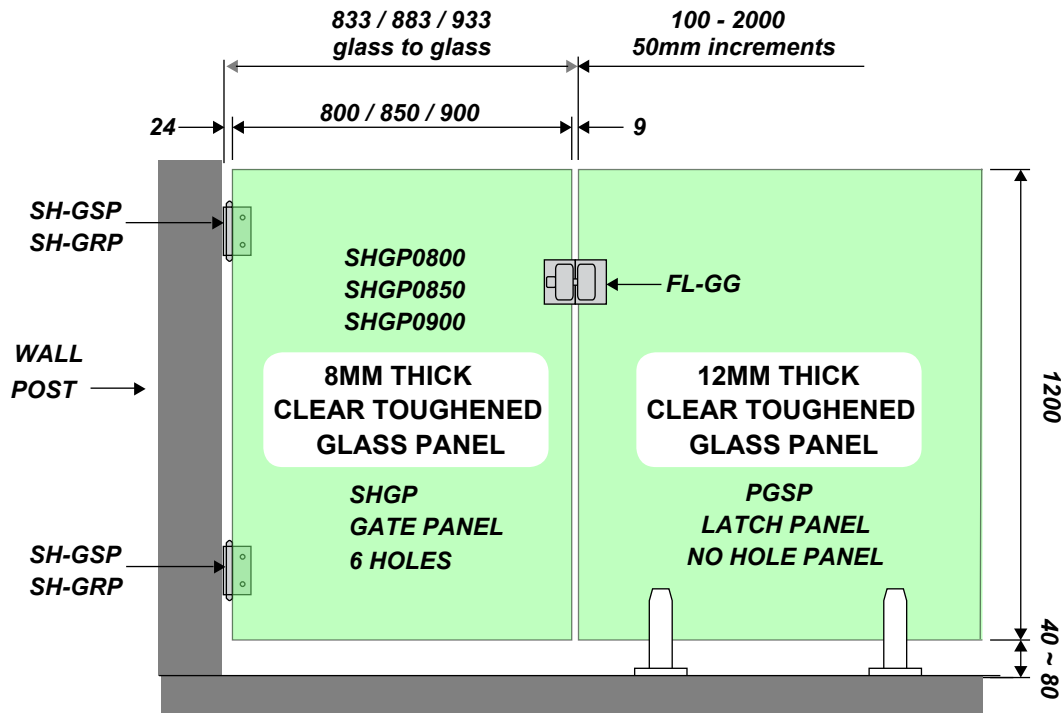
FRICTION LATCH (GLASS TO GLASS)

- FL-GG-P**
POLISH
- FL-GG-S**
SATIN
- FL-GG-B**
BLACK



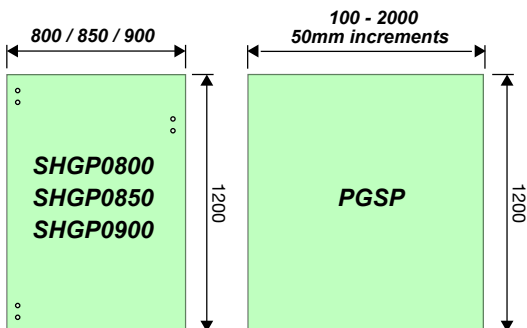
Glass Pool Fencing Catalogue

GATE ASSEMBLY - STANDARD SPRING HINGES (GLASS TO WALL/POST HINGES - GLASS TO GLASS LATCH)



GLASS DETAILS

HARDWARE



NOTE: ANY SIZE GLASS PANEL CAN BE USED AS A LATCH PANEL

SPRING HINGE PAIR (GLASS TO WALL/POST)

SH-GW-P
POLISH

SH-GW-S
SATIN

SH-GW-B
BLACK



FRICTION LATCH (GLASS TO GLASS)

FL-GG-P
POLISH

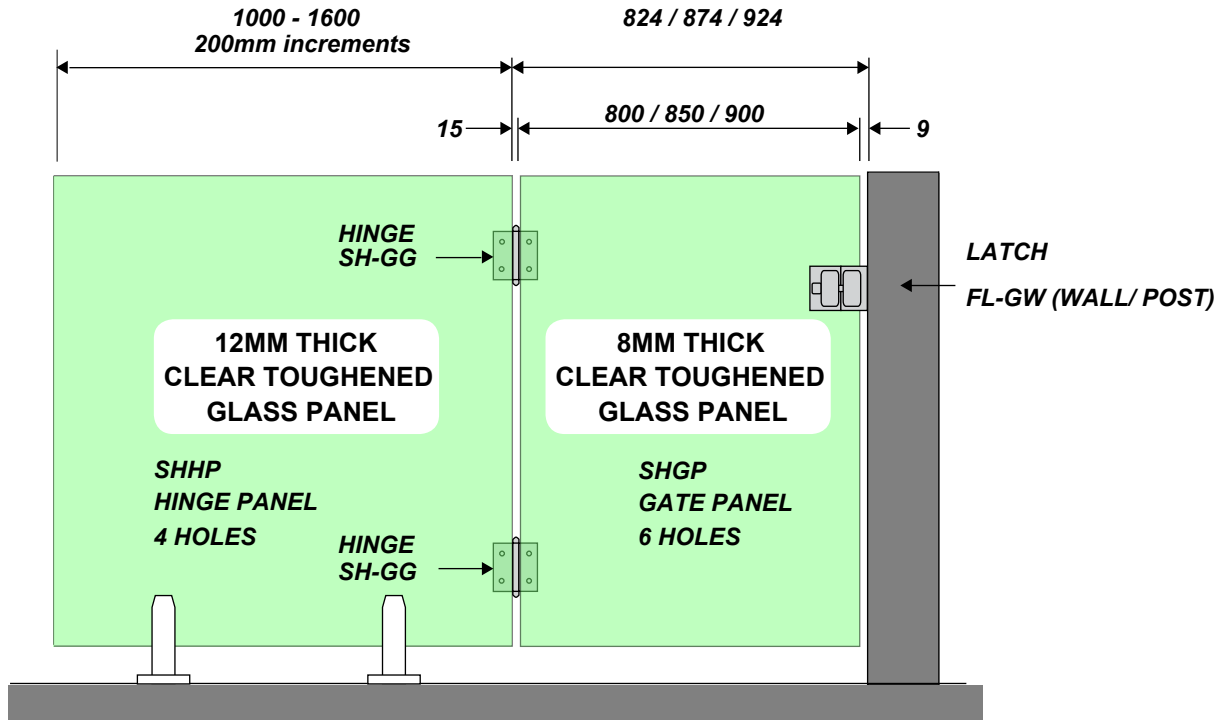
FL-GG-S
SATIN

FL-GG-B
BLACK



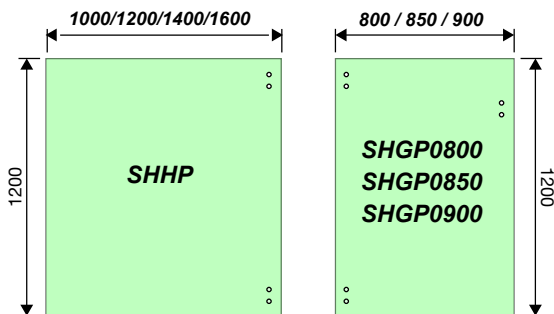
Glass Pool Fencing Catalogue

GATE ASSEMBLY - STANDARD SPRING HINGES (GLASS TO GLASS HINGES - GLASS TO WALL/POST LATCH)



GLASS DETAILS

HARDWARE



SH-GG-P
POLISH

SH-GG-S
SATIN

SH-GG-B
BLACK

FRICTION LATCH (GLASS TO WALL/POST)

FL-GW-P
POLISH

FL-GW-S
SATIN

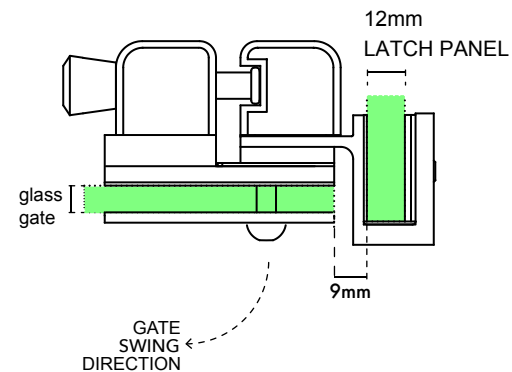
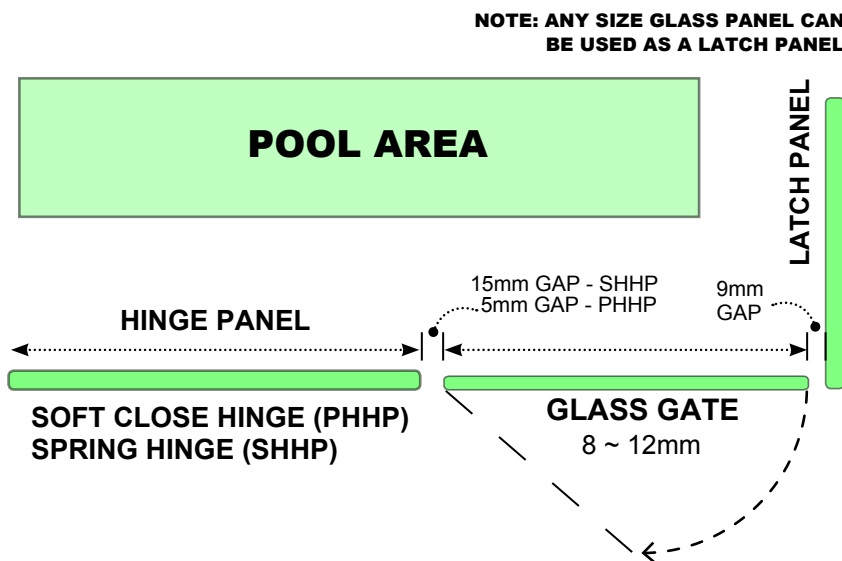
FL-GW-B
BLACK



Glass Pool Fencing Catalogue

GATE ASSEMBLY - 90 DEGREE CORNER ARRANGEMENT (GLASS TO GLASS HINGES - GLASS TO GLASS LATCH)

GLASS TO GLASS HINGES & **EXTERNAL** 90 DEGREE CORNER LATCH



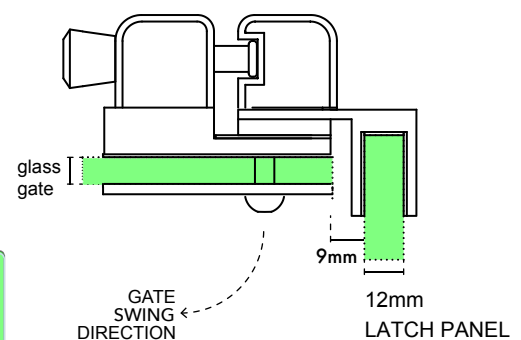
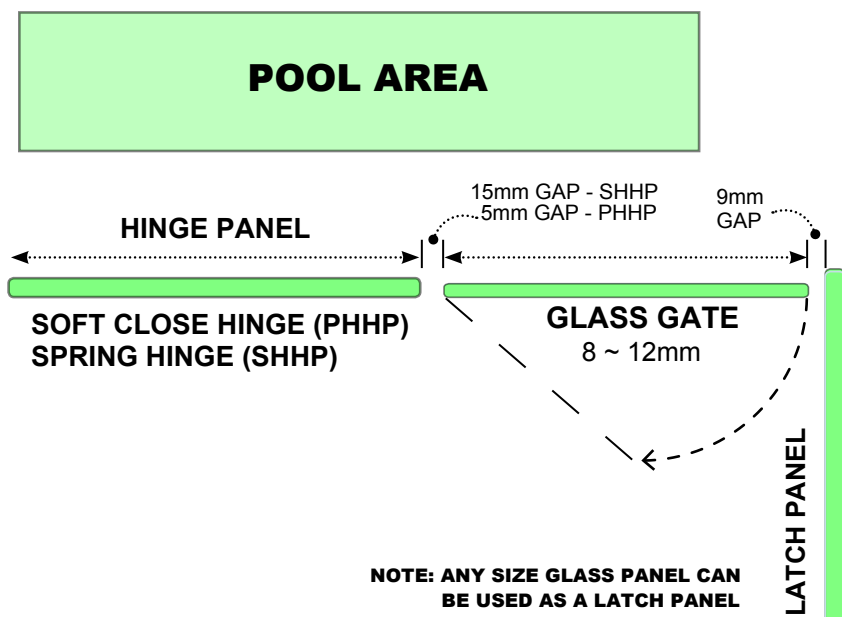
PRODUCT CODE:

FL-GGE-P POLISH
90 DEG. CORNER FRICTION LATCH
(GLASS TO GLASS) - EXTERNAL

FL-GGE-S SATIN

FL-GGE-B BLACK

GLASS TO GLASS HINGES & **INTERNAL** 90 DEGREE CORNER LATCH



PRODUCT CODE:

FL-GGI-P POLISH
90 DEG. CORNER FRICTION LATCH
(GLASS TO GLASS) - INTERNAL

FL-GGI-S SATIN

FL-GGI-B BLACK



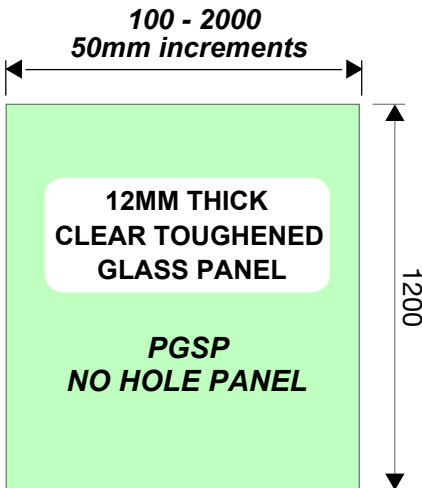
GLASSWORTH PTY LTD
architectural glass and hardware

Glass Pool Fencing Catalogue

STANDARD 1200MM HIGH NO HOLE GLASS PANELS (PGSP)

NO HOLE GLASS PANEL

- NO HOLE glass panel 1200mm high
- 12mm toughened clear glass
- 2mm radius corners
- polished edges



PANEL DIAGRAM

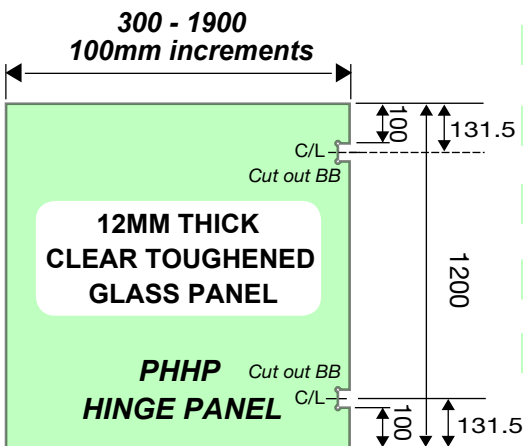
PRODUCT CODE	WIDTH (mm)	HEIGHT (mm)	THICKNESS (mm)	SQM. (m2)	WEIGHT (KG)
PGSP0100	100	1200	12	0.12	4
PGSP0150	150	1200	12	0.18	5
PGSP0200	200	1200	12	0.24	7
PGSP0250	250	1200	12	0.30	9
PGSP0300	300	1200	12	0.36	11
PGSP0350	350	1200	12	0.42	13
PGSP0400	400	1200	12	0.48	14
PGSP0450	450	1200	12	0.54	16
PGSP0500	500	1200	12	0.60	18
PGSP0550	550	1200	12	0.66	20
PGSP0600	600	1200	12	0.72	22
PGSP0650	650	1200	12	0.78	23
PGSP0700	700	1200	12	0.84	25
PGSP0750	750	1200	12	0.90	27
PGSP0800	800	1200	12	0.96	29
PGSP0850	850	1200	12	1.02	31
PGSP0900	900	1200	12	1.08	32
PGSP0950	950	1200	12	1.14	34
PGSP1000	1000	1200	12	1.20	36
PGSP1050	1050	1200	12	1.26	38
PGSP1100	1100	1200	12	1.32	40
PGSP1150	1150	1200	12	1.38	41
PGSP1200	1200	1200	12	1.44	43
PGSP1250	1250	1200	12	1.50	45
PGSP1300	1300	1200	12	1.56	47
PGSP1350	1350	1200	12	1.62	49
PGSP1400	1400	1200	12	1.68	50
PGSP1450	1450	1200	12	1.74	52
PGSP1500	1500	1200	12	1.80	54
PGSP1550	1550	1200	12	1.86	56
PGSP1600	1600	1200	12	1.92	58
PGSP1650	1650	1200	12	1.98	59
PGSP1700	1700	1200	12	2.04	61
PGSP1750	1750	1200	12	2.10	63
PGSP1800	1800	1200	12	2.16	65
PGSP1850	1850	1200	12	2.22	67
PGSP1900	1900	1200	12	2.28	68
PGSP1950	1950	1200	12	2.34	70
PGSP2000	2000	1200	12	2.40	72

GLASS HINGE PANELS - PREMIUM SOFT CLOSE HINGES GATE PANELS - PREMIUM SOFT CLOSE HINGES

GLASS HINGE PANEL - SOFT CLOSE HINGES

- 1200mm high with 2 cut-outs
- 12mm toughened clear glass
- 2mm radius corners
- polished edges

PANEL DIAGRAM

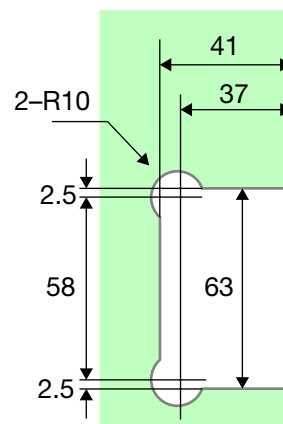
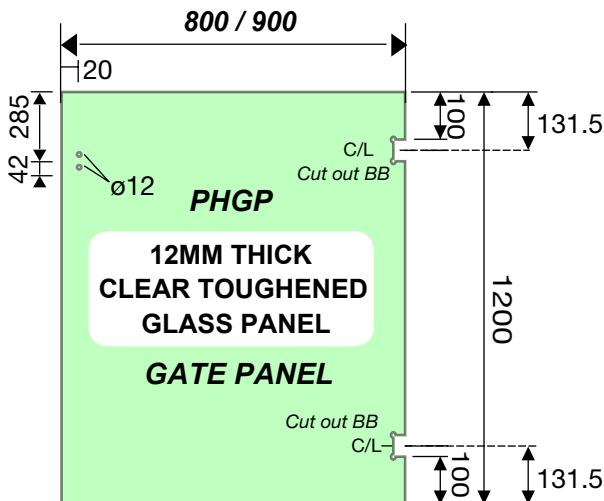


PRODUCT CODE	WIDTH (mm)	HEIGHT (mm)	THICKNESS (mm)	SQM. (m2)	WEIGHT (KG)
PHHP0300	300	1200	12	0.36	11
PHHP0400	400	1200	12	0.48	14
PHHP0500	500	1200	12	0.60	18
PHHP0600	600	1200	12	0.72	22
PHHP0700	700	1200	12	0.84	25
PHHP0800	800	1200	12	0.96	29
PHHP0900	900	1200	12	1.08	32
PHHP1000	1000	1200	12	1.20	36
PHHP1100	1100	1200	12	1.32	40
PHHP1200	1200	1200	12	1.44	43
PHHP1300	1300	1200	12	1.56	47
PHHP1400	1400	1200	12	1.68	50
PHHP1500	1500	1200	12	1.80	54
PHHP1600	1600	1200	12	1.92	58
PHHP1700	1700	1200	12	2.04	61
PHHP1800	1800	1200	12	2.16	65
PHHP1900	1900	1200	12	2.28	68

GLASS GATE PANEL - SOFT CLOSE HINGES

- 1200mm high with 2 cut-outs/2 holes

PANEL DIAGRAM



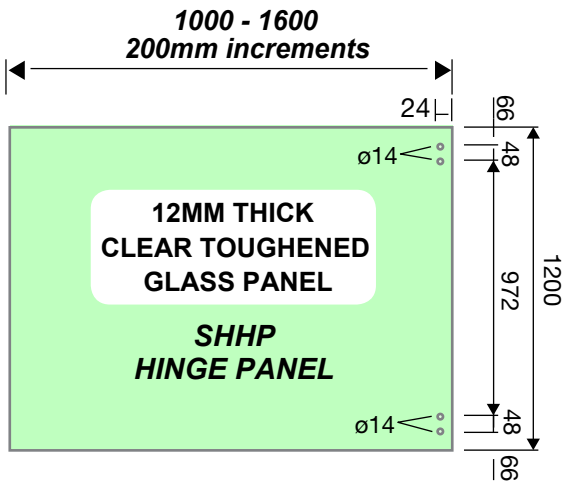
CUT OUT BB

PRODUCT CODE	WIDTH (mm)	HEIGHT (mm)	THICKNESS (mm)	SQM. (m2)	WEIGHT (KG)
PHGP0800	800	1200	12	0.96	29
PHGP0900	900	1200	12	1.08	32

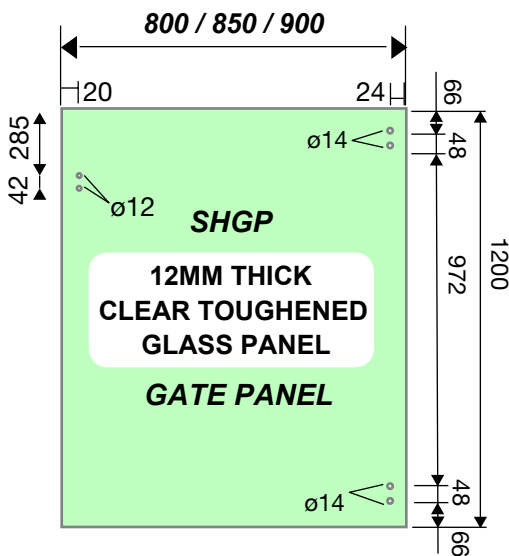
GLASS HINGE PANELS - STANDARD SPRING HINGES GATE PANELS - STANDARD SPRING HINGES

GLASS HINGE PANEL - SPRING HINGES

- 1200mm high with 4 holes
- 12mm toughened clear glass
- 2mm radius corners
- polished edges



PANEL DIAGRAM



PANEL DIAGRAM

PRODUCT CODE	WIDTH (mm)	HEIGHT (mm)	THICKNESS (mm)	SQM. (m2)	WEIGHT (KG)
SHHP1000	1000	1200	12	1.20	36
SHHP1200	1200	1200	12	1.44	43
SHHP1400	1400	1200	12	1.68	50
SHHP1600	1600	1200	12	1.92	58

GLASS GATE PANEL - SPRING HINGES

- 1200mm high with 6 holes
- 8mm toughened clear glass
- 2mm radius corners
- polished edges

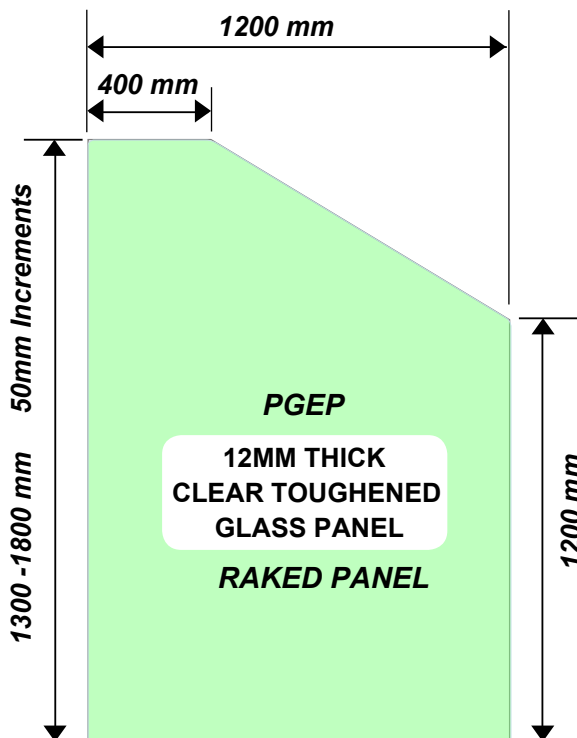
PRODUCT CODE	WIDTH (mm)	HEIGHT (mm)	THICKNESS (mm)	SQM. (m2)	WEIGHT (KG)
SHGP0800	800	1200	8	0.96	19
SHGP0850	850	1200	8	1.02	20
SHGP0900	900	1200	8	1.08	21

RAKED NO HOLE GLASS PANELS ELEVATED (PGEP)

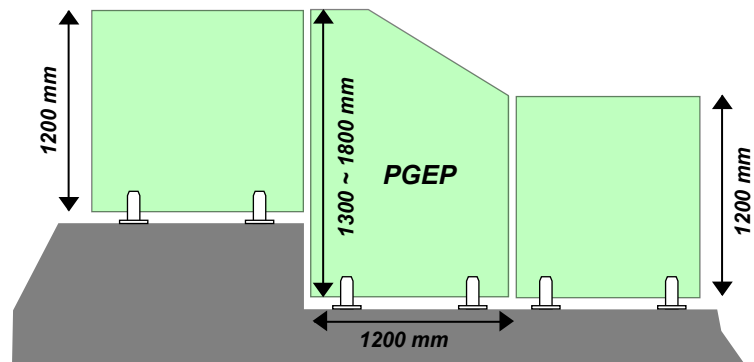
RAKED GLASS PANEL - ELEVATED

- 1200mm width with raked shape to overcome steps or ground level change
- 12mm toughened clear glass
- 2mm radius corners
- polished edges

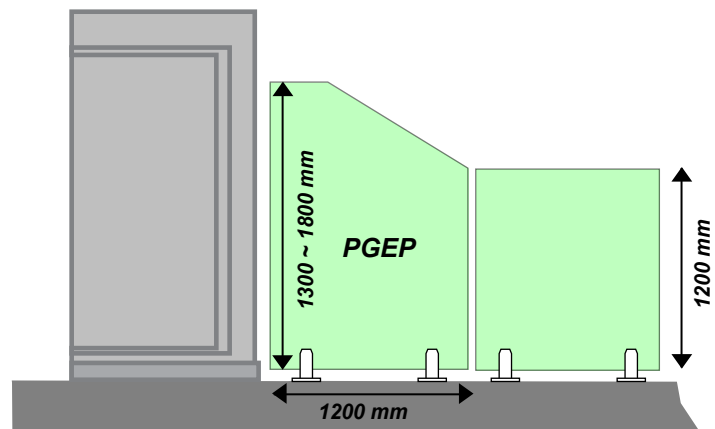
PRODUCT CODE	WIDTH (mm)	HEIGHT (mm)	THICKNESS (mm)	SQM. (m2)	WEIGHT (KG)
PGEP1300	1200	1300	12	1.56	46
PGEP1350	1200	1350	12	1.62	48
PGEP1400	1200	1400	12	1.68	50
PGEP1450	1200	1450	12	1.74	52
PGEP1500	1200	1500	12	1.80	54
PGEP1550	1200	1550	12	1.86	56
PGEP1600	1200	1600	12	1.92	58
PGEP1650	1200	1650	12	1.98	60
PGEP1700	1200	1700	12	2.04	62
PGEP1750	1200	1750	12	2.10	64
PGEP1800	1200	1800	12	2.16	66



PANEL DIAGRAM



overcome steps or ground level change



overcome stepping points issue



GLASSWORTH PTY LTD
architectural glass and hardware

Glass Pool Fencing Catalogue

HARDWARE AND ACCESSORIES (MINI POSTS / SPIGOTS)

	PRODUCT CODE	DESCRIPTION	FINISH	GRADE
	SP-SC-280P (Polish/Mirror)	Friction fit SPIGOT 50x280mm Square CORE DRILL type Marine grade stainless steel	Polish/Mirror	2205
	SP-SC-280S (Satin/Brushed)	Dress ring included	Satin/Brushed	2205
	SP-SC-280B (Matt Black)		Matt Black	2205
	SP-SC-240P (Polish/Mirror)	Friction fit SPIGOT 50x240mm Square CORE DRILL type Marine grade stainless steel	Polish/Mirror	2205
	SP-SC-240S (Satin/Brushed)	Dress ring included	Satin/Brushed	2205
	SP-SC-240B (Black)		Matt Black	2205
	SP-SC-280NCP (Polish/Mirror)	Non-Conductive SPIGOT Friction fit SPIGOT 50x280mm Square CORE DRILL type	Polish/Mirror	2205
	SP-SC-280NCS (Satin/Brushed)	Insulated stainless steel Dress ring included	Satin/Brushed	2205
	SP-SC-280NCB (Matt Black)	No earthing required	Matt Black	2205
	SP-VC-P (Polish/Mirror)	Friction fit SPIGOT 50X140mm FACE MOUNT type Marine grade stainless steel	Polish/Mirror	2205
	SP-VC-S (Satin/Brushed)	PATENTED PRODUCT	Satin/Brushed	2205
	SP-VC-B (Black)		Matt Black	2205

Glass Pool Fencing Catalogue

HARDWARE AND ACCESSORIES (MINI POSTS / SPIGOTS)

PRODUCT CODE	DESCRIPTION	FINISH	GRADE
	SP-SB-160P (Polish/Mirror) Friction fit SPIGOT 50x160mm Square DECK MOUNT type Marine grade stainless steel	Polish/Mirror	2205
	SP-SB-160S (Satin/Brushed) Friction fit SPIGOT 50x160mm Square DECK MOUNT type Marine grade stainless steel Dress ring included	Satin/Brushed	2205
	SP-SB-160B (Matt Black) Friction fit SPIGOT 50x160mm Square DECK MOUNT type Marine grade stainless steel Dress ring included	Matt Black	2205
	SP-SB-160NCP (Polish/Mirror) Non-Conductive SPIGOT Friction fit SPIGOT 50x280mm Square CORE DRILL type Insulated stainless steel	Polish/Mirror	2205
	SP-SB-160NCS (Satin/Brushed) Non-Conductive SPIGOT Friction fit SPIGOT 50x280mm Square CORE DRILL type Insulated stainless steel Dress ring included	Satin/Brushed	2205
	SP-SB-160NCB (Matt Black) Non-Conductive SPIGOT Friction fit SPIGOT 50x280mm Square CORE DRILL type Insulated stainless steel Dress ring included No earthing required	Matt Black	2205
	SP-RB-160P (Polish/Mirror) Friction fit SPIGOT 50x160mm Round DECK MOUNT type Marine grade stainless steel	Polish/Mirror	2205
	SP-RB-160S (Satin/Brushed) Friction fit SPIGOT 50x160mm Round DECK MOUNT type Marine grade stainless steel Dress ring included	Satin/Brushed	2205
	SP-RB-160B (Black) Friction fit SPIGOT 50x160mm Round DECK MOUNT type Marine grade stainless steel Dress ring included	Matt Black	2205
	SP-RC-280P (Polish/Mirror) Friction fit SPIGOT 50x280mm Round CORE DRILL type Marine grade stainless steel	Polish/Mirror	2205
	SP-RC-280S (Satin/Brushed) Friction fit SPIGOT 50x280mm Round CORE DRILL type Marine grade stainless steel Dress ring included	Satin/Brushed	2205
	SP-RC-280B (Black) Friction fit SPIGOT 50x280mm Round CORE DRILL type Marine grade stainless steel Dress ring included	Matt Black	2205



GLASSWORTH PTY LTD
architectural glass and hardware

Glass Pool Fencing Catalogue

HARDWARE AND ACCESSORIES (HINGES)

	PRODUCT CODE	DESCRIPTION	FINISH	GRADE				
	AH-GG-P (Polish/Mirror)	Premium soft close hinges - pair Marine grade stainless steel Glass to glass - 180 degree	Polish/Mirror	2205				
					AH-GG-S (Satin/Brushed)	Adjustable closing speed & action 12mm gate and hinge panels in stock	Satin/Brushed	2205
					AH-GG-B (Black)		Matt Black	2205
	AH-GW-P (Polish/Mirror)	Premium soft close hinges - pair Marine grade stainless steel Glass to wall / post	Polish/Mirror	2205				
					AH-GW-S (Satin/Brushed)	Adjustable closing speed & action 12mm gate and hinge panels in stock	Satin/Brushed	2205
					AH-GW-B (Black)		Matt Black	2205
	SH-GG-P (Polish/Mirror)	Standard spring hinges - pair Marine grade stainless steel Glass to glass / Face mount	Polish/Mirror	2205				
					SH-GG-S (Satin/Brushed)	Adjustable closing speed & action 8mm gate/12mm hinge panels in stock	Satin/Brushed	2205
					SH-GG-B (Black)		Matt Black	2205
	SH-GW-P (Polish/Mirror)	Standard spring hinges - pair Marine grade stainless steel Glass to square post / wall	Polish/Mirror	2205				
					SH-GW-S (Satin/Brushed)	Adjustable closing speed & action 8mm gate/12mm hinge panels in stock	Satin/Brushed	2205
					SH-GW-B (Black)		Matt Black	2205

Glass Pool Fencing Catalogue

HARDWARE AND ACCESSORIES (LATCHES)

	PRODUCT CODE	DESCRIPTION	FINISH	GRADE
	FL-GG-P (Polish/Mirror)	Friction LATCH - Stainless & polymer Glass to glass 180 degree	Polish/Mirror	2205
	FL-GG-S (Satin/Brushed)	Marine grade stainless steel Suits 8,10 & 12mm glass gate Latch panel must be 12mm thick	Satin/Brushed	2205
	FL-GG-B (Black)		Matt Black	2205
	FL-GW-P (Polish/Mirror)	Friction LATCH - Stainless & polymer Glass to square post / wall	Polish/Mirror	2205
	FL-GW-S (Satin/Brushed)	Marine grade stainless steel Suits 8,10 & 12mm glass gate	Satin/Brushed	2205
	FL-GW-B (Black)		Matt Black	2205
	FL-GGE-P (Polish/Mirror)	Friction LATCH - Stainless & polymer Glass to glass 90 degree - External corner fit	Polish/Mirror	2205
	FL-GGE-S (Satin/Brushed)	Marine grade stainless steel Suits 8,10 & 12mm glass gate	Satin/Brushed	2205
	FL-GGE-B (Black)		Matt Black	2205
	FL-GGI-P (Polish/Mirror)	Friction LATCH - Stainless & polymer Glass to glass 90 degree - Internal corner fit	Polish/Mirror	2205
	FL-GGI-S (Satin/Brushed)	Marine grade stainless steel Suits 8,10 & 12mm glass gate	Satin/Brushed	2205
	FL-GGI-B (Black)		Matt Black	2205




HARDWARE AND ACCESSORIES (GLASS CLAMPS)

PRODUCT CODE	DESCRIPTION	FINISH	GRADE
	C-GG180S-P (Polish/Mirror)	Friction fit Glass CLAMP - small Glass to glass 180 degree	Polish/Mirror 2205
	C-GG180S-S (Satin/Brushed)	Marine grade stainless steel Suitable for 12mm glass panels Suitable for up to 50mm gaps	Satin/Brushed 2205
	C-GG180S-B (Black)		Matt Black 2205
	C-GG90-P (Polish/Mirror)	Friction fit Glass CLAMP Glass to glass 90 degree	Polish/Mirror 2205
	C-GG90-S (Satin/Brushed)	Marine grade stainless steel Suitable for 12mm glass panels	Satin/Brushed 2205
	C-GG90-B (Black)		Matt Black 2205
	C-GG90N-P (Polish/Mirror)	Friction fit Glass CLAMP Glass to glass 90 degree	Polish/Mirror 2205
	C-GG90N-S (Satin/Brushed)	Marine grade stainless steel Suitable for 12mm glass panels	Satin/Brushed 2205
	C-GG90N-B (Black)		Matt Black 2205
	C-GW-P (Polish/Mirror)	Friction fit Glass CLAMP Glass to wall/square post	Polish/Mirror 2205
	C-GW-S (Satin/Brushed)	Marine grade stainless steel Suitable for 12mm glass panels	Satin/Brushed 2205
	C-GW-B (Satin/Brushed)		Matt Black 2205
	C-GGSW-P (Polish/Mirror)	Friction fit Glass CLAMP Glass to glass swivel	Polish/Mirror 2205
	C-GGSW-S (Satin/Brushed)	Marine grade stainless steel Suitable for 12mm glass panels	Satin/Brushed 2205
	C-GGSW-B (Satin/Brushed)		Matt Black 2205

HARDWARE AND ACCESSORIES (GLASS CLAMPS) & (STAND-OFFS)

	PRODUCT CODE	DESCRIPTION	FINISH	GRADE
	DS-FB-P (Polish/Mirror)	Frction fit Glass CLAMP - "D" Square Square front - square back	Polish/Mirror	2205
	DS-FB-S (Satin/Brushed)	Marine grade stainless steel Suitable for 8,10,12mm glass	Satin/Brushed	2205
	DS-FB-B (Black)		Matt Black	2205
	DS-RB-P (Polish/Mirror)	Frction fit Glass CLAMP - "D" Square Square front - round back	Polish/Mirror	2205
	DS-RB-S (Satin/Brushed)	Marine grade stainless steel Suitable for 8,10,12mm glass	Satin/Brushed	2205
	DS-RB-B (Black)		Matt Black	2205
	D-FB-P (Polish/Mirror)	Frction fit Glass CLAMP - "D" D front - square back	Polish/Mirror	2205
	D-FB-S (Satin/Brushed)	Marine grade stainless steel Suitable for 8,10,12mm glass	Satin/Brushed	2205
	D-FB-B (Black)		Matt Black	2205
	D-RB-P (Polish/Mirror)	Frction fit Glass CLAMP - "D" D front - round back	Polish/Mirror	2205
	D-RB-S (Satin/Brushed)	Marine grade stainless steel Suitable for 8,10,12mm glass	Satin/Brushed	2205
	D-RB-B (Black)		Matt Black	2205
	GS5030P (Polish/Mirror)	Dia. 50mmx30mm body Stand-off - Threaded	Polish/Mirror	2205
	GS5030S (Satin/Brushed)	Marine grade stainless steel Suitable for 12mm glass	Satin/Brushed	2205
	GS5030B (Black)	Adjustable	Matt Black	2205

HARDWARE AND ACCESSORIES (GROUT & GLASS CARE)

	PRODUCT CODE	DESCRIPTION	WEIGHT
	GR-BT20	BOSTIK HES Techflow Grout 20kg Bag Ready to use, pre-mixed Rapid strength gain facilitates	20 KG
	GR-PR10	Quick Set Concrete Cement 10kg Bag Ready to use, pre-mixed Rapid hardening	10 KG
	GR-QS	BASTION Quickset Concrete 20kg Bag Ready to use, pre-mixed Rapid strength gain facilitates sets in 20 minutes	20 KG